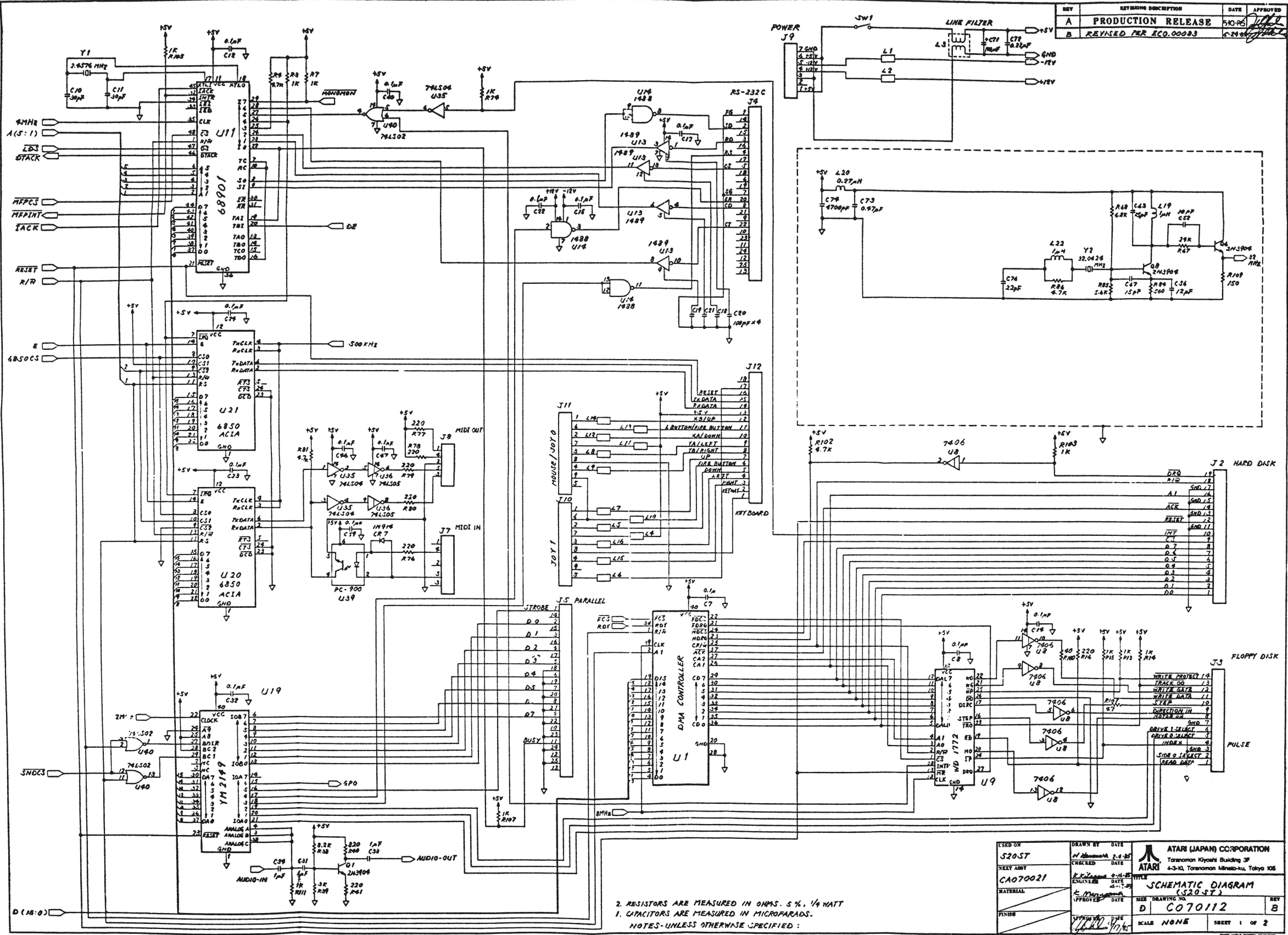
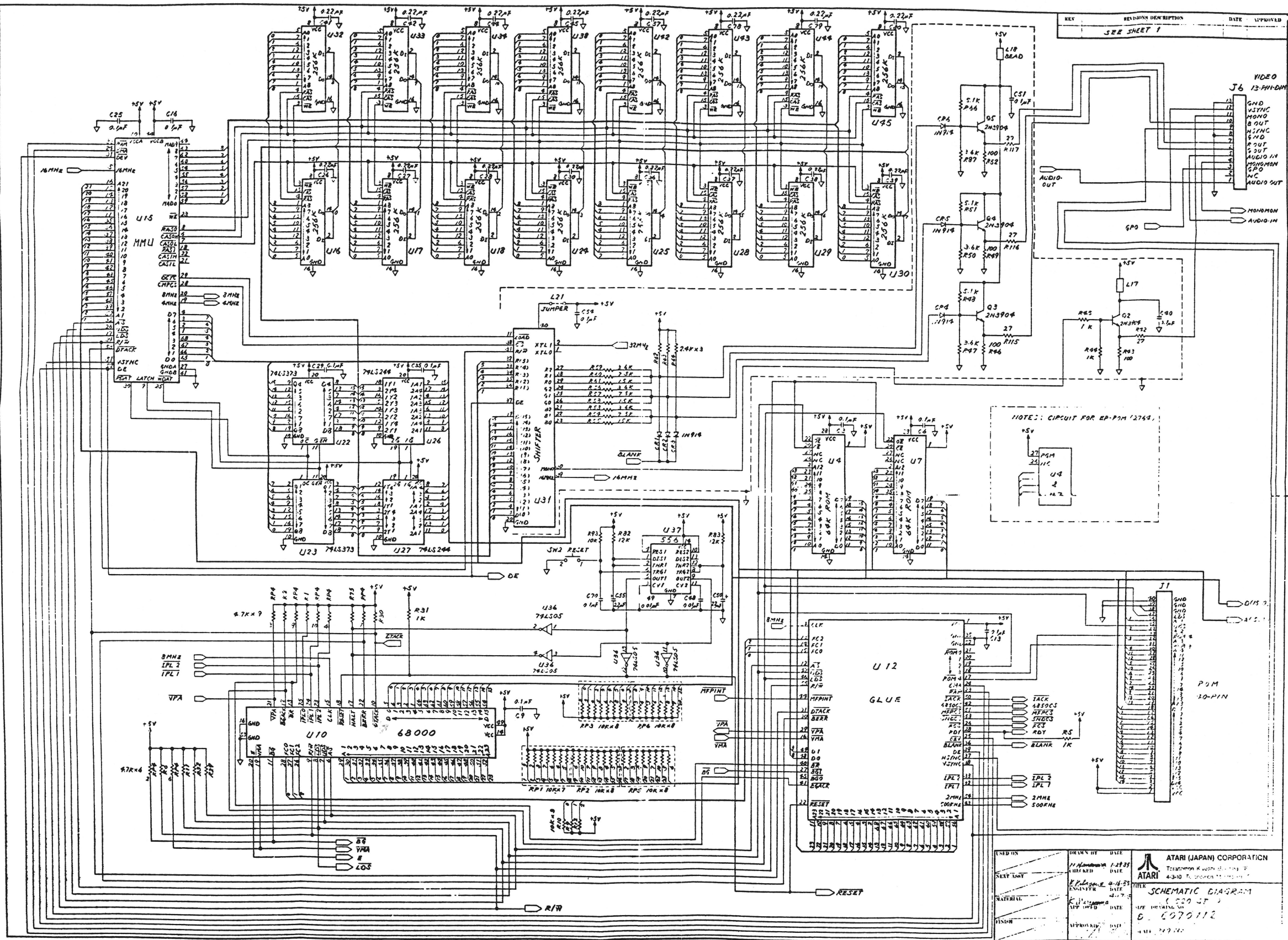


REV	REVISION DESCRIPTION	DATE	APPROVED
A	PRODUCTION RELEASE	5/10/85	[Signature]
B	REVISED PER ECO.00083	6/24/85	[Signature]



2. RESISTORS ARE MEASURED IN OHMS. 5%, 1/4 WATT
 1. CAPACITORS ARE MEASURED IN MICROFARADS.
 NOTES - UNLESS OTHERWISE SPECIFIED:

USED ON S20ST	DRAWN BY M. [Signature]	DATE 2-4-85	 ATARI (JAPAN) CORPORATION Toranomon Kiyosaki Building 3F 4-3-10, Toranomon Minato-ku, Tokyo 105
CHECKED NEXT AMBY CA070021	DATE 6-11-85	DATE 6-11-85	
MATERIAL	ENGINEER E. [Signature]	DATE 6-11-85	TITLE SCHEMATIC DIAGRAM (S20ST)
FINISH	APPROVED M. [Signature]	DATE 6/11/85	SIZE DRAWING NO. D C070112
			SCALE NONE SHEET 1 OF 2



NOTES: CIRCUIT FOR EP-PIN 1764.

USED ON	DRAWN BY	DATE	ATARI (JAPAN) CORPORATION 4-3-10, Toranomon 2-chome, Minami-Ku, Tokyo, Japan
NEXT UNIT	M. Hasegawa ENGINEER	1-29-85 DATE	
MATERIAL	K. Yamaguchi APP. WORK	4-11-85 DATE	TITLE SCHEMATIC DIAGRAM (200-01) SIZE B-090112
FINISH	APPROVED	DATE	